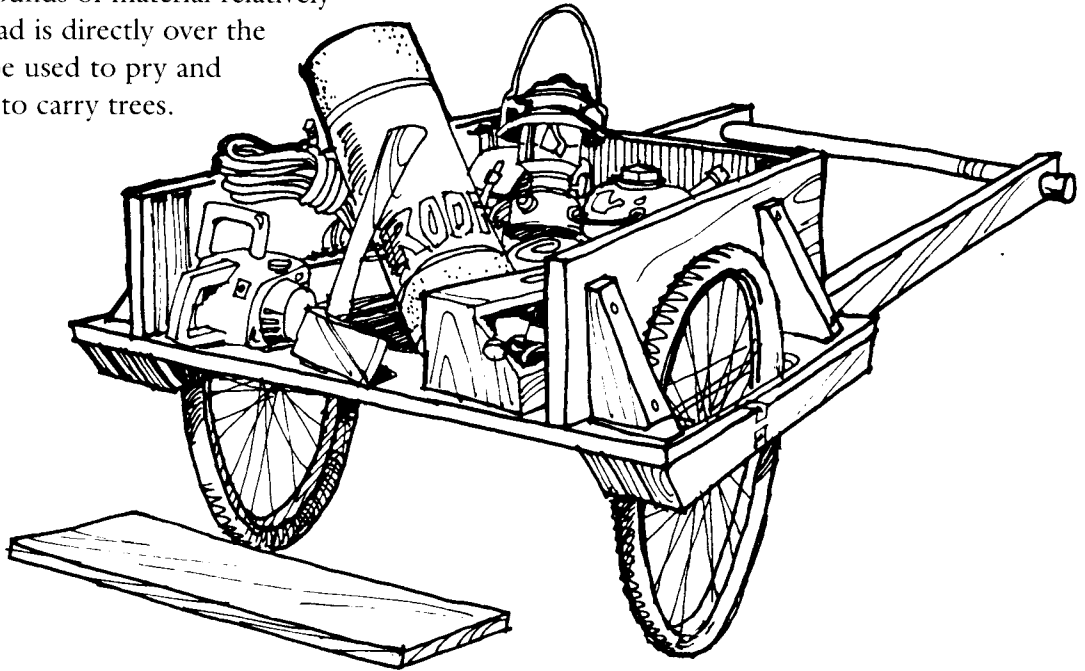


# Handcart

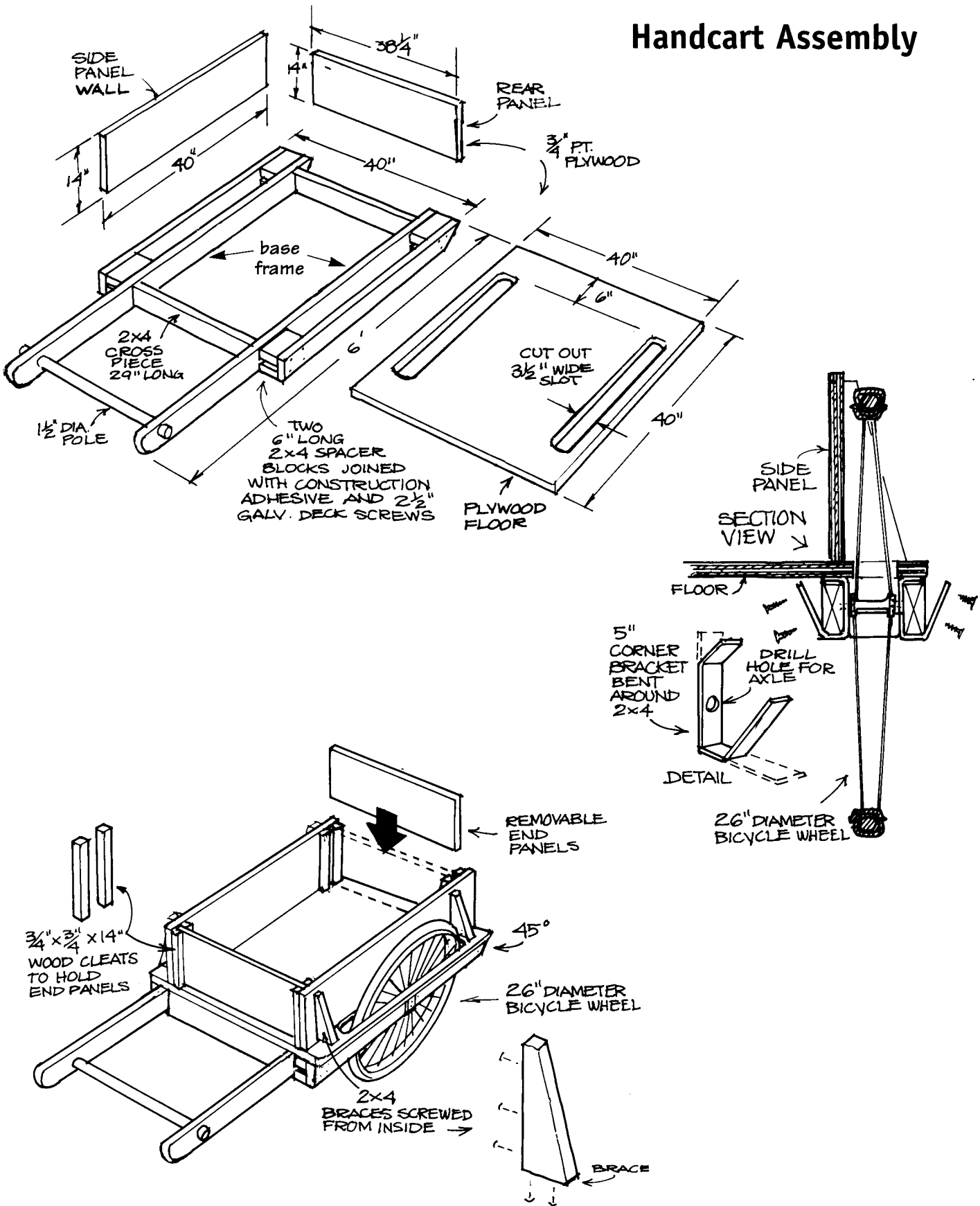
One means of transportation that you might want to consider is a handcart. It's tall enough to roll over rough terrain and can also be useful later when you are gathering firewood. This handcart can be made in one day and costs very little. It is capable of moving up to 500 pounds of material relatively easily, because the load is directly over the wheels. It can even be used to pry and lift up large rocks or to carry trees.



## Materials Needed

| Part                     | Quantity | Description   |
|--------------------------|----------|---|
| Interior frame           | 2        | 6' 2x4  |
| Outriggers               | 2        | 40" 2x4   |
| Spacer blocks            | 8        | 6" 2x4  |
| Cross pieces             | 2        | 29" 2x4   |
| Floor, sides, end panels |          | 4'x8' sheet $\frac{3}{4}$ " pressure treated plywood  |
| Braces                   | 4        | 17" 2x4   |
| Cleats                   | 8        | $\frac{3}{4}$ " x $\frac{3}{4}$ " x 14"   |
| Handle                   | 1        | 1 $\frac{1}{2}$ " diameter wood pole, 33" long  |
| Wheels                   | 2        | Used 26" diameter bicycle wheels  |
| Axle supports            | 4        | 5" galvanized corner brackets   |
| Other materials          |          | 1 $\frac{1}{4}$ " galvanized deck screws<br>2 $\frac{1}{2}$ " galvanized deck screws<br>Construction adhesive |

# Handcart Assembly



**1.** Construct the base frame out of 2×4s. Secure with 2½" galvanized deck screws and construction adhesive.

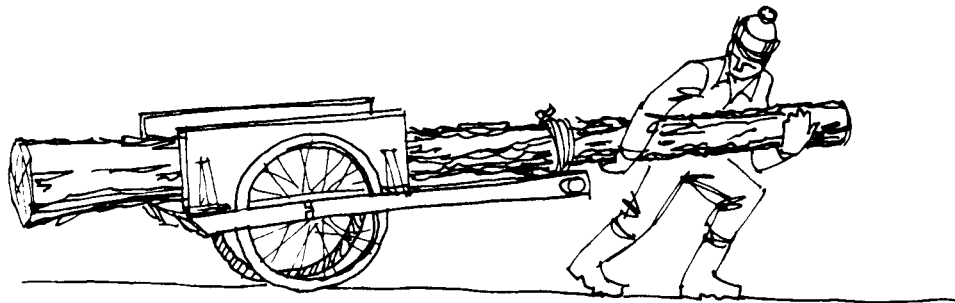
**2.** To support the ends of the bicycle wheel axles, attach each axle end to a simple homemade metal support. Use a hammer to bend a 5" metal corner bracket around each 2×4. Bore a hole in each bracket, large enough to accept the end of the axle.

**3.** Cut the plywood for the floor, 40"×40". With a jigsaw, cut a slot in the plywood for the wheel on each side and nail it to the base frame.

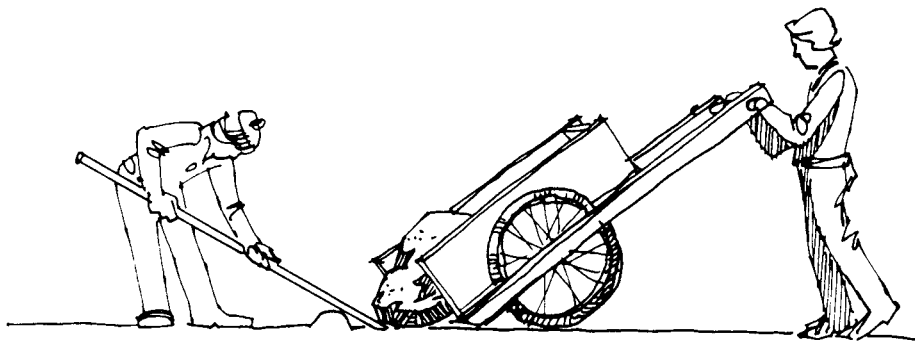
**4.** Make the walls of the cart by cutting two pieces of plywood, 14"×40", and securing them to the floor with screws from underneath.

**5.** Form slots to hold the removable end panels by nailing wooden cleats to the sides of the cart at each corner.

**6.** Make braces for the side panels from scrap 2×4 and screw on from inside the cart.



Removable front and rear end panels allow long trees and lumber to be moved with ease.



Heavy objects are no problem. They are pried up into the cart and balanced over the axle, making the cart easy to roll.